

+NOTICE!!

These documents have been scanned!

Do not place un-scanned documents beneath this notice!

Do not remove this notice from this file!

GPO Jacket No. 560-102
Print Order 61549
Rise Business Services, LLC
Job=AZ15 1/8/2020



Box Number= AZ15283



Claim Begin-End: AMC457154-AMC457155

1 Initial Receipt



AZ15283-26

AMC458525-AMC458783

United States Department of the Interior
Bureau of Land Management
 DIV OF LANDS, MINRLS & ENERGY
 ONE N CENTRAL AVE
 PHOENIX, AZ 85004 -4427
 Phone: 602-417-9200

Receipt

No: 4579180

Transaction #: 4700749	
Date of Transaction: 10/08/2019	
CUSTOMER:	
BIG BUG MINING DISTRICT LLC PO BOX 1238 MAYER, AZ 86333-1238 US	

ENTERED
 OCT 22 2019
 BY: *Ram*

LINE #	QTY	DESCRIPTION	REMARKS	UNIT PRICE	TOTAL
1	2.00	LOCATABLE MINERALS / MINING CLAIMS-NEW, UNADJUD, ONE OR MORE AUTH NOS / NEW MINING CLAIMS LOCATION FEE CASES: AMC457154/\$40.00, AMC457155/\$40.00		- n/a -	80.00
2	2.00	LOCATABLE MINERALS / MINING CLAIMS-NEW, UNADJUD, ONE OR MORE AUTH NOS / NEW MINING CLAIMS MAINTENANCE FEE CASES: AMC457154/\$165.00, AMC457155/\$165.00		- n/a -	330.00
3	2.00	LOCATABLE MINERALS / MINING CLAIMS-NEW, UNADJUD, ONE OR MORE AUTH NOS / NEW MINING CLAIM PROCESSING FEE CASES: AMC457154/\$20.00, AMC457155/\$20.00		- n/a -	40.00
TOTAL:					\$450.00

PAYMENT INFORMATION			
1	AMOUNT:	450.00	POSTMARKED: N/A
	TYPE:	CHECK	RECEIVED: 10/08/2019
	CHECK NO:	1143	
	NAME:	BIG BUG MINING DISTRICT LLC PO BOX 515 MAYER AZ 86333-1238 US	

REMARKS

This receipt was generated by the automated BLM Collections and Billing System and is a paper representation of a portion of the official electronic record contained therein.

NOTICE!!

These documents have been scanned!

Do not place un-scanned documents beneath this notice!

Do not remove this notice from this file!

GPO Jacket No. 560-102
Print Order 61549
Rise Business Services, LLC
Job=AZ15 1/8/2020



Box Number= AZ15283



Claim Begin-End: AMC457154-AMC457155

2 Correspondence



AZ15283-26

AMC458525-AMC458783

**NO
DOCUMENTS
FOUND**

NO DOCUMENTS FOUND
NO DOCUMENTS FOUND

NOTICE!!

These documents have been scanned!

Do not place un-scanned documents beneath this notice!

Do not remove this notice from this file!

GPO Jacket No. 560-102
Print Order 61549
Rise Business Services, LLC
Job=AZ15 1/8/2020



Box Number= AZ15283



Claim Begin-End: AMC457154-AMC457155

3 Transfers



AZ15283-26

AMC458525-AMC458783

**NO
DOCUMENTS
FOUND**

NO DOCUMENTS FOUND
NO DOCUMENTS FOUND

NOTICE!!

These documents have been scanned!

Do not place un-scanned documents beneath this notice!

Do not remove this notice from this file!

GPO Jacket No. 560-102
Print Order 61549
Rise Business Services, LLC
Job=AZ15 1/8/2020



Box Number= AZ15283



Claim Begin-End: AMC457154-AMC457155

4 Annual Filings



AZ15283-26

AMC458525-AMC458783

**NO
DOCUMENTS
FOUND**

NO DOCUMENTS FOUND
NO DOCUMENTS FOUND

NOTICE!!

These documents have been scanned!

Do not place un-scanned documents beneath this notice!

Do not remove this notice from this file!

GPO Jacket No. 560-102
Print Order 61549
Rise Business Services, LLC
Job=AZ15 1/8/2020



Box Number= AZ15283



Claim Begin-End: AMC457154-AMC457155

5 Miscellaneous



AZ15283-26

AMC458525-AMC458783

**NO
DOCUMENTS
FOUND**

NO DOCUMENTS FOUND
NO DOCUMENTS FOUND

NOTICE!!

These documents have been scanned!

Do not place un-scanned documents beneath this notice!

Do not remove this notice from this file!

GPO Jacket No. 560-102
Print Order 61549
Rise Business Services, LLC
Job=AZ15 1/8/2020



Box Number= AZ15283



Claim Begin-End: AMC457154-AMC457155

6 Location Notices-Amendments and Supporting Documents



AZ15283-26 AMC458525-AMC458783

MINING CLAIM STATUS REPORT

Data Entered: 10/22/19 RAM

MTP Checked By: EG
GEO Checked By: EG

LEAD SERIAL NUMBER: AMC 457154 thru AMC 457155

NUMBER OF CLAIMS & TYPE:

2 LODE
2 PLACER
ASSOCIATION PLACER
MILL SITE
TUNNEL SITE

CHARGES:

Processing Fee @ \$20 = \$ 40
Location Fee @ \$40 = \$ 80
Maintenance Fee @ \$165 = \$ 330
Add'l Maint Fee for Assoc Placer = \$
SUBTOTAL \$ 450.00
Other Fees \$
Other Fees \$
TOTAL \$

TOTAL ACREAGE: 20 Per Claim
(Placer Only)

NUMBER OF LOCATORS: 1

DOCUMENTS RECEIVED VIA: Over-the-Counter Mail TIMELY FILED: Yes No

LEGAL DESCRIPTION: T 13N R 1E SEC 19
T _____ R _____ SEC _____
T _____ R _____ SEC _____
T _____ R _____ SEC _____
T _____ R _____ SEC _____

BLM FOREST SERVICE SUBJ TO PL 359: Yes No
WILDERNESS AREA

SPLIT ESTATE: N/A SX PX OTHER
SRHA Was proper Notice filed if located on SHRA Land? Yes No

RECONVEYED MINERALS ON BLM LAND REQUIRE OPENING ORDER FROM 1944 TO 1993:

Open to Entry On _____ N/A

COMMENTS/STATUS: VOID PARTIALLY VOID PVT MINERALS WITHDRAWN LANDS
OTHER

Claimant acknowledges that portions of the following claim(s) site(s) may be void or voidable.

Printed Name of Claimant _____ Signature of Claimant _____

*****FINAL ADJUDICATION*****

DATE _____ INITIALS _____

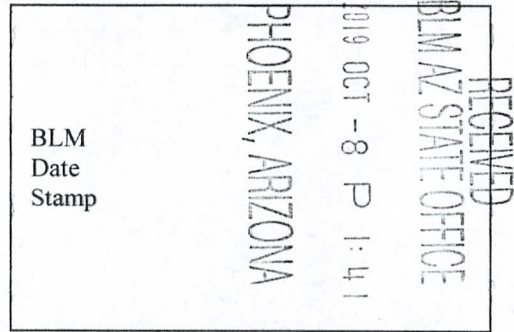


WHEN RECORDED
MAIL TO:
BIG BUG MINING DISTRICT LLC
P.O. BOX 1238
MAYER, AZ 86333

LOCATION NOTICE FOR PLACER MINING CLAIM

Amendment BLM Serial # _____

NOTICE IS HEREBY GIVEN that the BBMD9
_____ placer mining claim has been located by
BIG BUG MINING DISTRICT LLC whose current mailing
address is P.O. BOX 1238
MAYER, AZ 86333



The general course of this claim is WEST TO EAST and it is situated in YAVAPAI
County, Arizona. This claim is 1320 feet in length and 660 feet in width.

20 Total Claim Acreage. This claim runs from the location monument on which this location notice is
posted at the SW corner of the claim approximately 1320 feet in a EASTERLY direction to the
EAST end line and 660 feet in a NORTHERLY direction to the NORTH end line. This claim is
marked by four monuments, one at each corner of the claim.

The location monument on which this notice is posted is situated within Section 19, Township
13 N, Range 1 E, Gila Salt River Base and Meridian, Arizona. This claim encompasses
portions of the following legal subdivision(s) if located by legal subdivision or the following quarter section(s),
section(s), Township(s) and Range(s) S1/2, SW1/4, NE1/4, SECT 19, T13N, R1E
_____, Gila Salt River Base and Meridian, Arizona.

The locality of this claim with reference to some natural object or permanent monument and additional information
(if any) concerning its locality are as follows: SW CORNER OF THE CLAIM IS THE NORTHWEST
CORNER OF LOT 19, SECT 19, T13N, R1E

_____ The above information is shown on the attached map.

DATED AND POSTED on the ground this 6TH day of SEPTEMBER, 20 19.

LOCATOR(s) AGENT

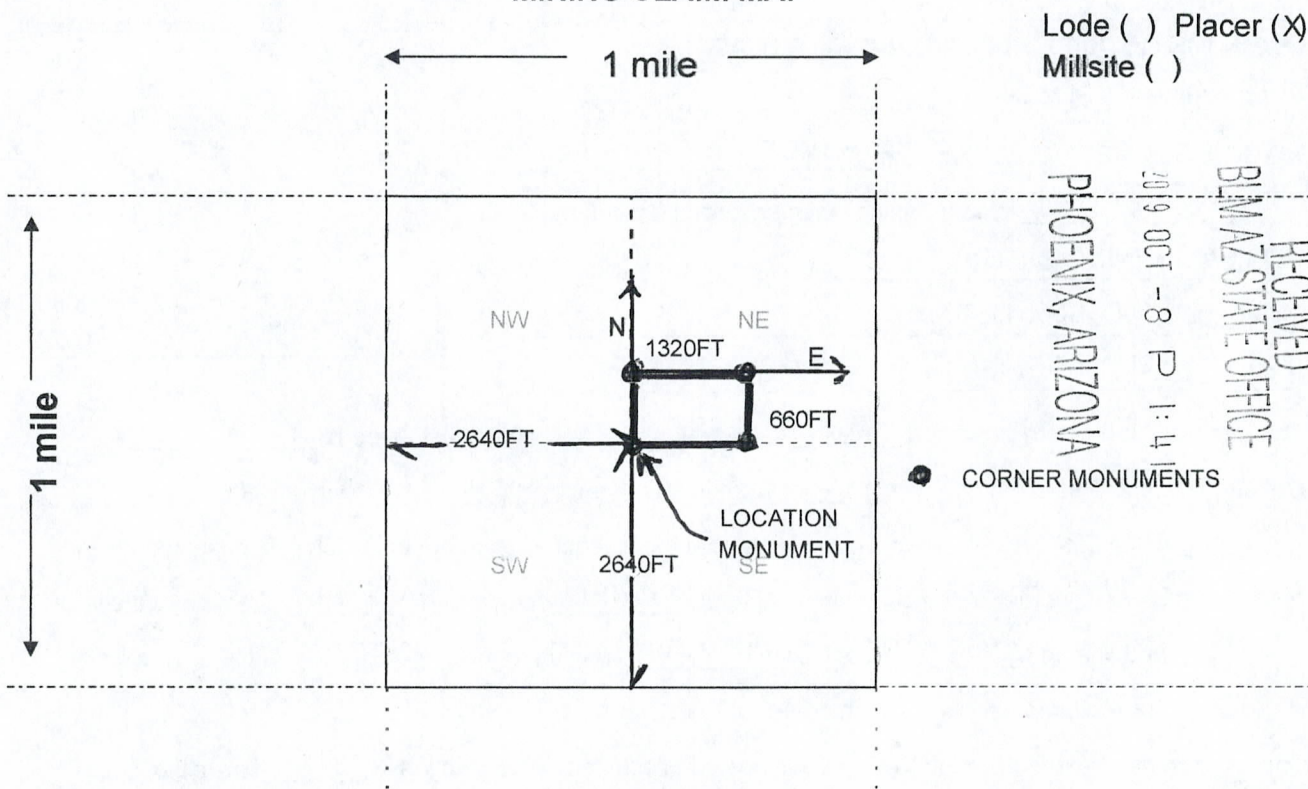
Print Name(s) TIMOTHY HAYDEN

Signature(s) *THayden*

Form MCF102
Revised Oct 2018

ANC451154

MINING CLAIM MAP



Lode () Placer (X)
Millsite ()

RECEIVED
 BLM AZ STATE OFFICE
 2019 OCT - 8 P 1:41
 PHOENIX, ARIZONA

● CORNER MONUMENTS

Scale: 1" = 2000 feet



AMC457154

- The above map depicts the BBMD9 mining claim, which is located in Section (s) 19, Township 13 N, Range 1 E, Gila and Salt River Base and Meridian, YAVAPAI County, Arizona. Total claim acreage is 20
- The type of corner and location monuments used are as follows: 5 FT HIGH CAPPED 2 INCH PVC PIPE ON STEEL REBAR
- The bearings and distances in degrees and feet between claim corners and to a public land survey monument are as depicted on the map.
- If the claim is a placer or millsite claim with exterior limits conforming to legal subdivisions of the public survey, provide a legal description of the claim S1/2, SW1/4, NE1/4, SECT 19, T13N, R1E G&SRM

Form MCF100a
Revised Oct 2018

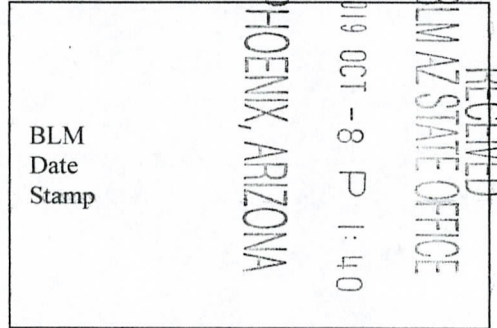


WHEN RECORDED
MAIL TO:
BIG BUG MINING DISTRICT LLC
P.O. BOX 1238
MAYER, AZ 86333

LOCATION NOTICE FOR PLACER MINING CLAIM

Amendment BLM Serial # _____

NOTICE IS HEREBY GIVEN that the BBMD10
_____ placer mining claim has been located by
BIG BUG MINING DISTRICT LLC whose current mailing
address is P.O. BOX 1238
MAYER, AZ 86333



The general course of this claim is EAST TO WEST and it is situated in YAVAPAI
County, Arizona. This claim is 1320 feet in length and 660 feet in width.

20 Total Claim Acreage. This claim runs from the location monument on which this location notice is
posted at the NE corner of the claim approximately 1320 feet in a WESTERLY direction to the
WEST end line and 660 feet in a SOUTHERLY direction to the SOUTH end line. This claim is
marked by four monuments, one at each corner of the claim.

The location monument on which this notice is posted is situated within Section 19, Township
13 N, Range 1 E, Gila Salt River Base and Meridian, Arizona. This claim encompasses
portions of the following legal subdivision(s) if located by legal subdivision or the following quarter section(s),
section(s), Township(s) and Range(s) N1/2, NE1/4, SW1/4, SECT 19, T13N, R1E
_____, Gila Salt River Base and Meridian, Arizona.

The locality of this claim with reference to some natural object or permanent monument and additional information
(if any) concerning its locality are as follows: THE NE CORNER OF THE CLAIM IS THE NORTHWEST
CORNER OF LOT 19, SECT 19, T13N, R1E

_____ The above information is shown on the attached map.

DATED AND POSTED on the ground this 6TH day of SEPTEMBER, 20 19.

LOCATOR(s) AGENT

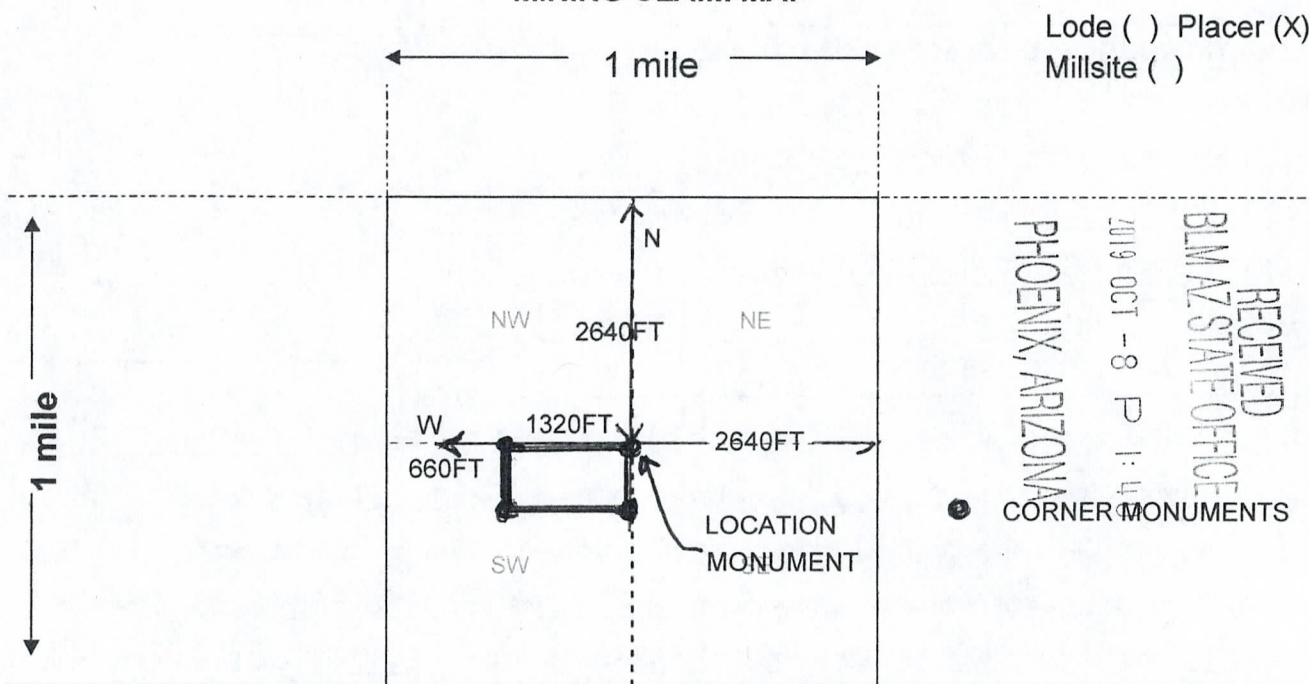
Print Name(s) TIMOTHY HAYDEN

Signature(s) *T. Hayden*

Form MCF102
Revised Oct 2018

AMC4571551

MINING CLAIM MAP



Scale: 1" = 2000 feet



AMC457155

1. The above map depicts the BBMD10 mining claim, which is located in Section (s) 19, Township 13 N, Range 1 E, Gila and Salt River Base and Meridian, YAVAPAI County, Arizona. Total claim acreage is 20
2. The type of corner and location monuments used are as follows: 5 FT HIGH CAPPED 2 INCH PVC PIPE ON STEEL REBAR
3. The bearings and distances in degrees and feet between claim corners and to a public land survey monument are as depicted on the map.
4. If the claim is a placer or millsite claim with exterior limits conforming to legal subdivisions of the public survey, provide a legal description of the claim N1/2, NE1/4, SW1/4, SECT 19, T13N, R1E G&SRM

Form MCF100a
Revised Oct 2018



LR2000 Internal

CR Geographic Report with Land

Download User Guide (pdf)

Purpose: This report produces a geographic listing of case information based on retrieval by Meridian/Township/Range. This report format will display the case type, case disposition, meridian, township, range, section, survey type, survey number, surface management agency, pending actions, serial number, and total case acres.

To refresh the query, do a **Ctrl-R**. It resets the page and clears any criteria fields that may have entries.



No Results

The specified criteria didn't result in any data. This is often caused by applying filters and/or selection steps that are too restrictive or that contain incorrect values. Please check your analysis filters and selection steps, and try again. The filters or selection steps currently being applied are shown below.

Filters

Disposition is equal to **AUTHORIZED, CANCELLED, EXPIRED, PENDING, REJECTED, RELINQUISHED, WITHDRAWN**

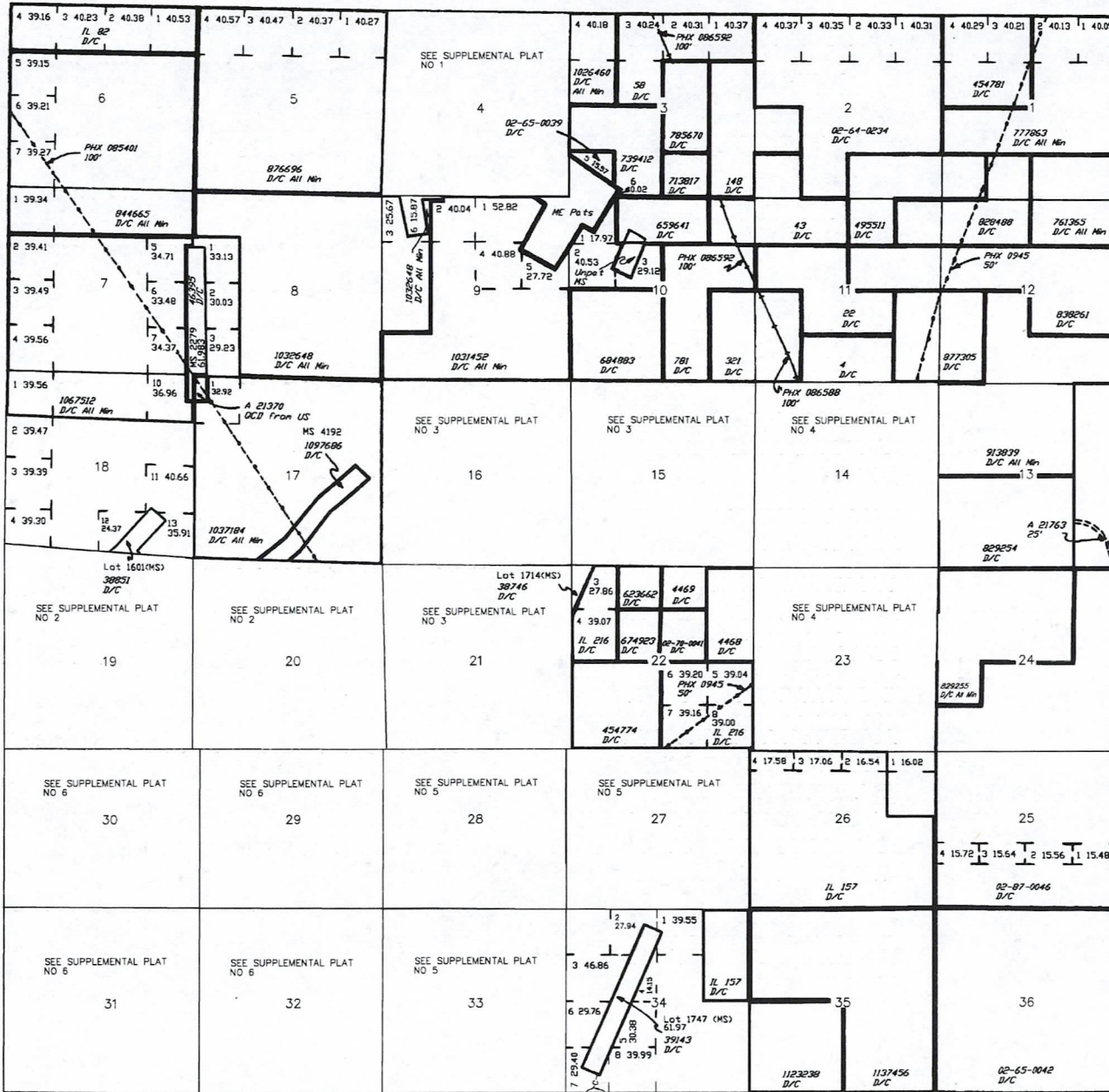
and Meridian Township Range Section is equal to **14 0130N 0010E 019**

and Admin State is equal to **AZ**

TOWNSHIP 13 NORTH RANGE 1 EAST OF THE GILA AND SALT RIVER MERIDIAN, ARIZONA

YAVAPAI COUNTY
HASSAYAMPA FIELD OFFICE

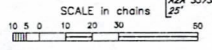
STATUS OF PUBLIC DOMAIN
LAND AND MINERAL TITLES



INDEX TO SEGREGATED TRACTS				
RESURVEY TRACT NO	ORIGINAL SURVEY			
	T	R	SEC	SUBDIVISION

FOR ORDERS AFFECTING DISPOSAL OR USE OF UN-IDENTIFIED LANDS WITHDRAWN FOR CLASSIFICATION MINERALS, WATER AND/OR OTHER PUBLIC PURPOSES REFER TO INDEX OF MISCELLANEOUS DOCUMENTS.

- MDS 16 NE
- 17 NW
- 18 SE
- 19 SW
- A 7631 PL 359 Secs 32, 33
- A 3433 R/W
- Sec 3 : Lot B
- A 3445 R/W
- Sec 3 : Lot B
- A 20662 R/W
- Sec 3 : Lot B
- AZA 31193 R/W
- Sec 33 : Lots 3, 4, NW1/4NW1/4
- A 17554 R/W 5'
- Sec 20 : Lot 15 M&B
- Sec 21 : Lots 19, 20, 22 M&B
- Sec 29 : Lots 1, 5, S1/2NE1/4 M&B



WARNING STATEMENT
This plat is the Bureau's Record of Title, and should be used only as a graphic display of the township survey data. Recordation does not reflect title changes which may have been effected by lateral movements of rivers or other bodies of water. Refer to the cadastral surveys for official survey information.

Lot 34°27'22"N
Long 112°12'02"W

CURRENT TO 10--22--2008	GS PV	T 13 N R 1 E
----------------------------	----------	-----------------

TOWNSHIP 13 NORTH RANGE 1 EAST OF THE GILA AND SALT RIVER MERIDIAN, ARIZONA

YAVAPAI COUNTY
HASSAYAMPA FIELD OFFICE

STATUS OF PUBLIC DOMAIN
LAND AND MINERAL TITLES

MTP
SUPPL SECS 19,20

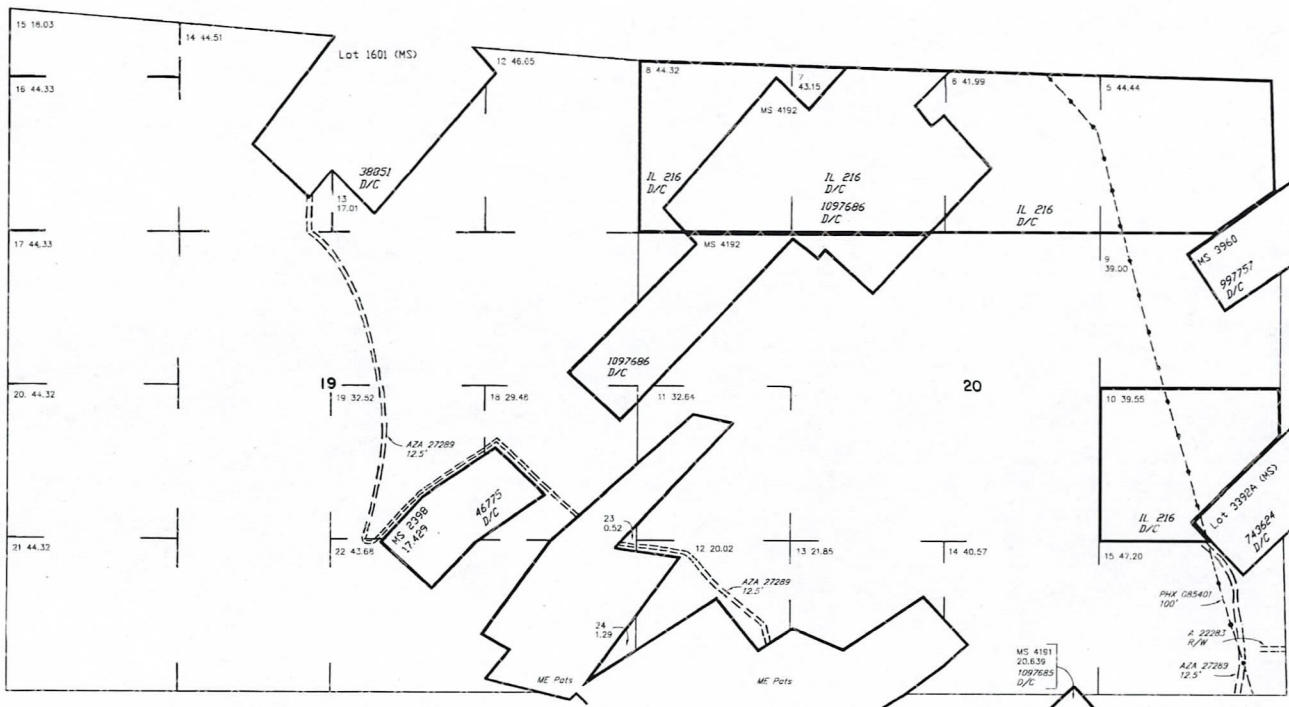
INDEX TO SEGREGATED TRACTS				
RESURVEY TRACT NO	ORIGINAL SURVEY			
	T	R	SEC	SUBDIVISION

FOR ORDERS AFFECTING DISPOSAL OR USE OF UNIDENTIFIED LANDS WITHDRAWN FOR CLASSIFICATION, MINERALS, WATER AND/OR OTHER PUBLIC PURPOSES, REFER TO INDEX OF MISCELLANEOUS DOCUMENTS.

MDS 19 SW

A 17534 R/W 5'

Sec 20 : Lot 15 M&B



WARNING STATEMENT
This plot is the Bureau's Record of Title, and should be used only as a graphic display of the township survey data. Records hereon do not reflect title changes which may have been effected by lateral movements of rivers or other bodies of water. Refer to the cadastral surveys for official survey information.

CURRENT TO	GS	NO 2
10-22-2008	PV	CSR Mer
		T 13 N
		R 1 E